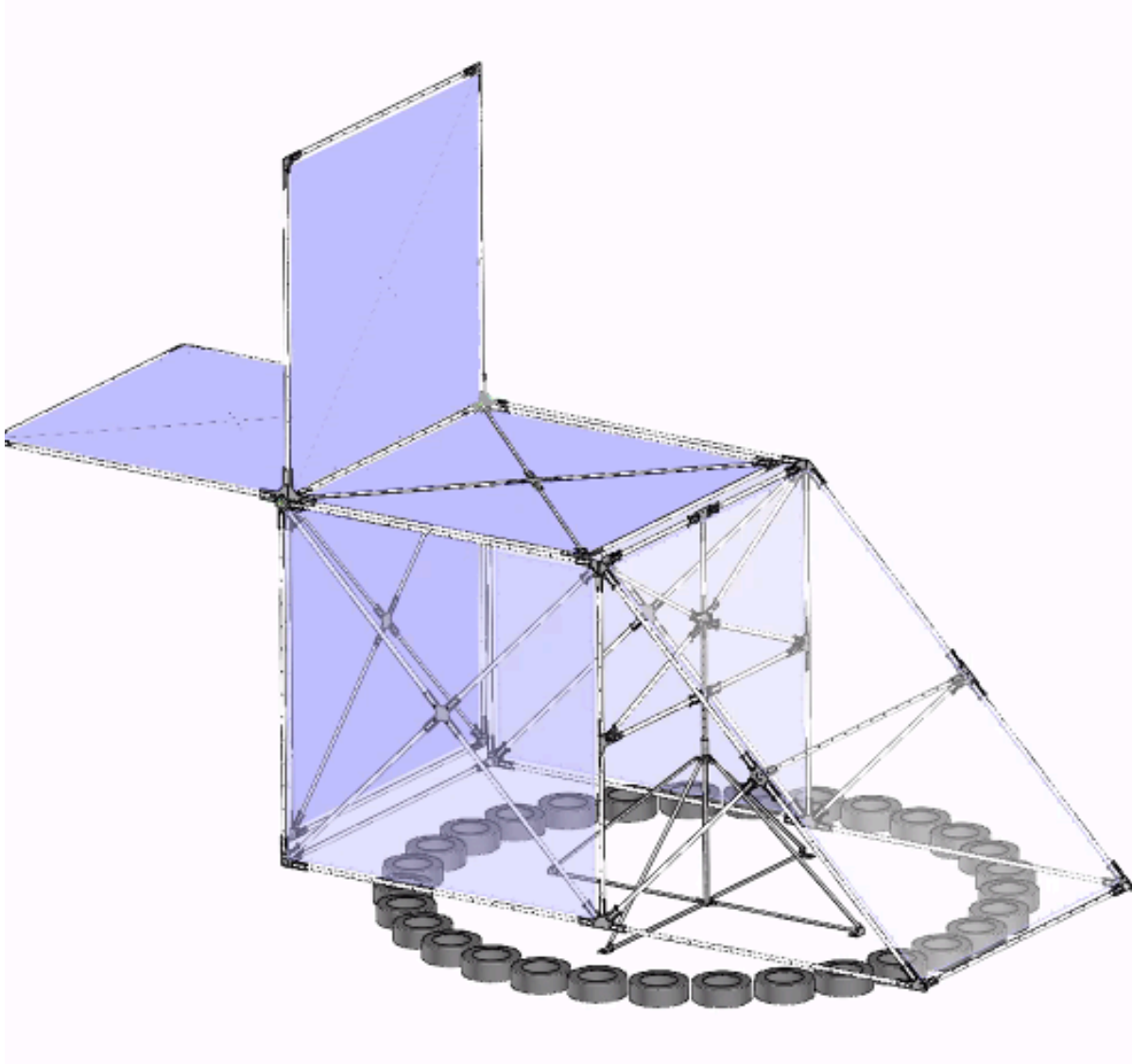


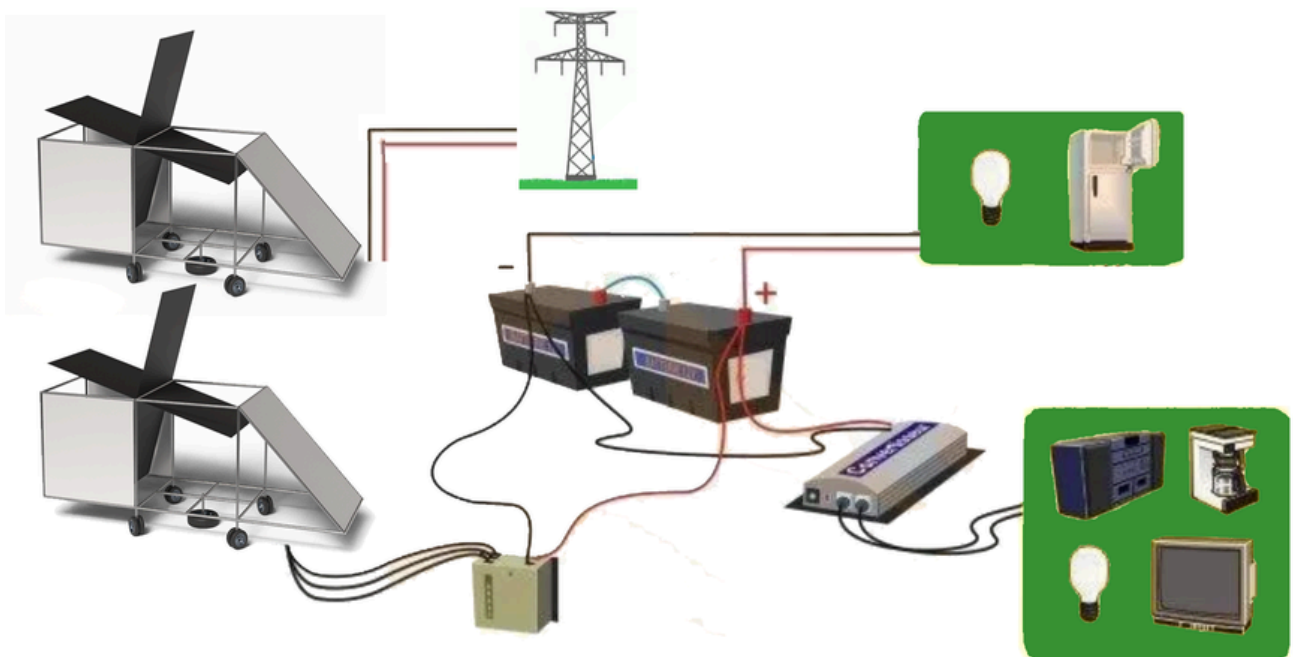
PRODUCT CATALOG

Wind to Watt designs modular and efficient wind turbines for all types of terrain. Our mission: democratize wind energy with compact, scalable, and sustainable solutions.



OUR OBJECTIVES

- Simplify energy production
- More accessible
- Less expensive
- Less polluting
- Easy to install
- On any terrain



Energy storage in batteries for domestic or industrial use.

Connection to a grid or resale of the energy to the distributor.

INNOVATION



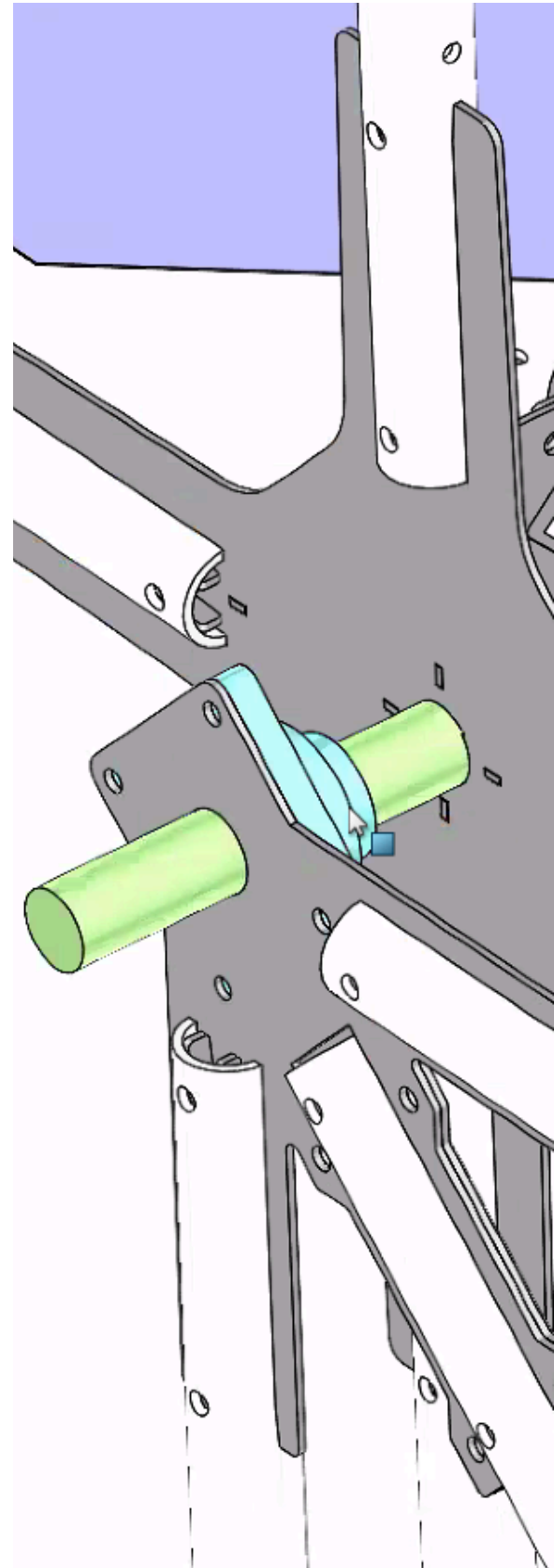
Invention

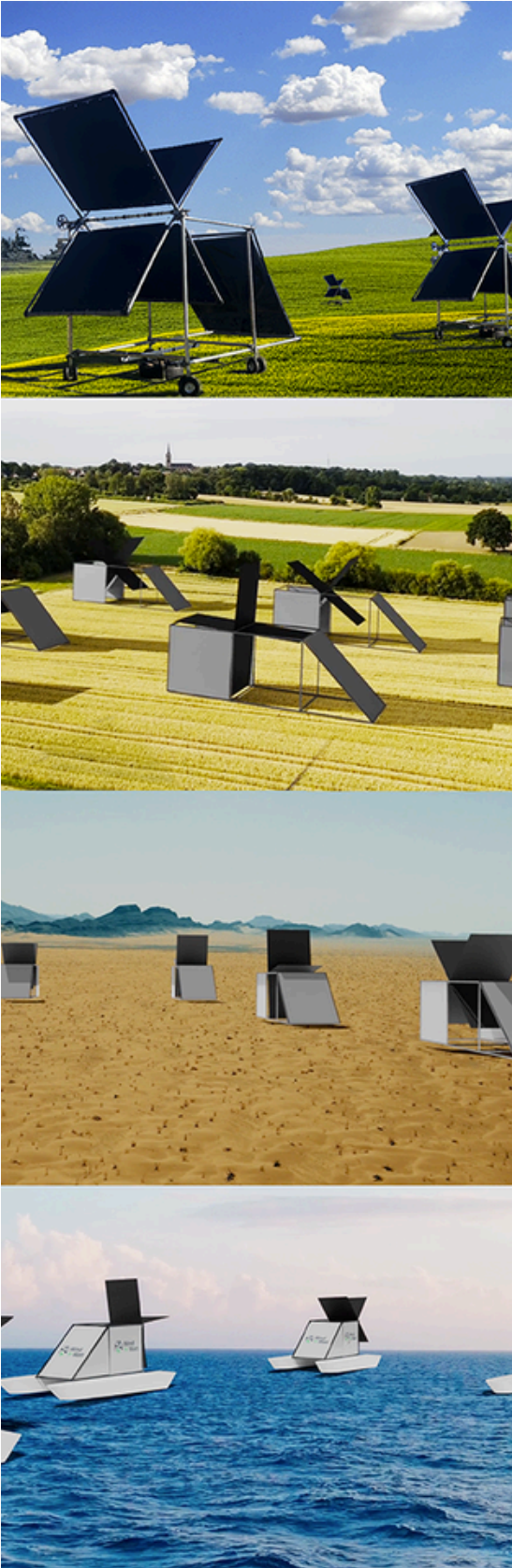
Our invention is protected by a patent. We are opening a new path in green energy production.



Production

Our wind turbine is easy to manufacture and allows for large-scale production to accelerate the global ecological transition.





Monitoring

We precisely analyze your energy needs in order to propose a tailored solution, adapted to your environment and expectations.



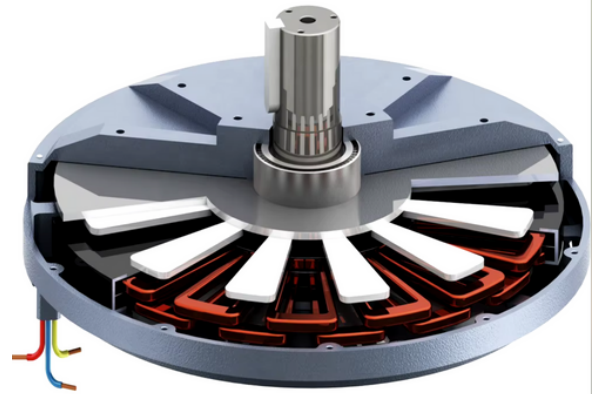
Study

Pricing is determined based on your specific needs, the size of your installation, and your energy consumption. Each quote is personalized after a technical study.



OUR GENERATORS

Our permanent magnet generators are designed to deliver high efficiency even at low speed.



Thanks to the absence of brushes and a reduced number of moving parts, they require little maintenance and guarantee extended service life.

They are perfectly suited to the low rotational speeds characteristic of wind energy, making them ideal for efficient, quiet, and reliable energy production.

0.2 KW

Dimensions: 1 meter wide and 2 meters high. Weight: 35 kg

5000€



1 KW

Dimensions: 2 meters wide and 4 meters high. Weight: 105 kg

10000€

4-20 KW

Dimensions: 4 meters wide and 4 meters high. Weight: 215 kg

>20000€



OUR EXPERTS AT YOUR SERVICE

The Wind To Watt company is led by qualified professionals, here to advise and support you throughout your project.



Brun Fabien
Founder & CEO

Fabien Brun, founder and inventor of Wind To Watt, combines his scientific expertise and field experience to drive innovation and guarantee efficient wind solutions tailored to real needs.



Reynald Romelard
Production Supervisor

Reynald Romelard oversees the production of Wind To Watt wind turbines, with over 20 years of experience in industrial management. Head of the MSE62 factory in northern France.



CONTACT



+33 686781595



contact@windtowatt.com



www.windtowatt.com



Nice, France

